

INGCO

Glue Gun

EN Glue Gun



GG308 UGG308



 **ingcoglobal**

 **INGCO GLOBAL**

Safety Regulations

Warning! Do not open the casing! Dangerous voltage is found unprotected on some components inside the product's casing; contact with these may lead to electric shock.

- The product may only be repaired by qualified service personnel.
- The product may not be taken apart nor be changed.
- Do not place the product so that it may fall down into water or another liquid.

Do not put any items containing water on the product, for example a flower vase or a soda can

- Disconnect the plug when the Glue Gun is not in use; let it cool off before storage.
- Check that the voltage that is indicated on the mark sign corresponds with the local power grid voltage.
- The Glue Gun is not a toy, do not let children use it without supervision!
- Never leave the Glue Gun unattended when it is turned on.
- The Glue Gun is made for indoor usage; protect it from water and dampness.

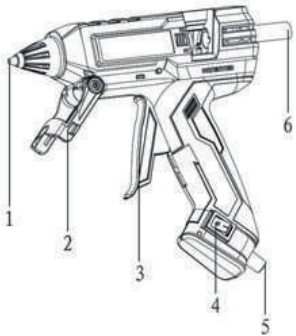
The following safety precautions shall be followed to avoid the risk of fire:

- Be careful when you use the Glue Gun in spaces with inflammable material.
- Do not hold the Glue Gun over the same spot for a long time.
- Do not use the Glue Gun in explosive environments.
- Keep in mind that the heat can conduct to inflammable material that is out of sight.
- Place the Glue Gun on the holder after use and let it cool off before storage.
- Do not leave the Glue Gun unattended when the cord is connected to the wall socket.

Warning!

The glue is very hot during usage. It may cause burns on the skin. Rinse immediately with cold water.

Description



1. Nozzle
2. Stand
3. Trigger
4. Power switch
5. Cable
6. Glue stick

The Glue Gun is made for gluing wood, paper and cardboard as well as some plastic materials.

Usage

1. Connect the plug to the wall socket.
2. Press switch to "I", then allow the glue gun to warm up for approximately 5-7 minutes before start to work.
3. Place a glue stick in the opening on the back of the gun as indicated in the picture.
4. Push in the glue stick as far as possible.
5. Press the trigger several times to feed the glue stick forward.
6. Press the trigger to feed the glue forward when it has started to melt.
7. Apply melted glue on the surfaces to be joined together, and then press the glued surfaces together for 15 seconds.
8. Press switch to "O" while finish working, then unplug the glue gun.

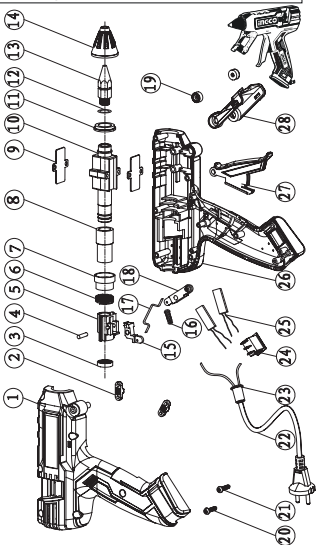
Disposal

Follow local ordinances when disposing of this product. If you are unsure about how to dispose of this product contact your municipality.



Technical data

Model No.	GG308	UGG308
Voltage	220-240V~	110-120V~
Frequency	50/60Hz	50/60Hz
Electricity consumption	220W	220W
Diameter glue stick	Φ11.2mm	Φ11.2mm(7/16")
Gluing Capacity	20-30g/min	20-30g/min

INGCO**EXPLODED VIEW****GG308,UGG308****INGCO****SPARE PART LIST****GG308,UGG308**

NO.	Part Description	Qty
1	Right gun shell	1
2	Wire fixing plate	2
3	silicone rear retaining	1
4	Fixed axis	1
5	Thruster	1
6	Fix ring	1
7	Plastic sleeve	1
8	silicone sleeve	1
9	Clamp	2
10	Aluminum parts of heater	1
11	Stop collar	1
12	O-ring	1
13	Gun head	1
14	End cap	1
15	flip block	1
16	Extension spring	1
17	Connecting rod	1
18	Transmission rod	1
19	Fixing washer	2
20	Screw 4×14	10
21	Screw 3×15	3
22	Cable	1
23	Cable sleeve	1
24	Switch	1
25	Heater	1
26	Left gun cover	1
27	Trigger	1
28	Stand	1

INGCO



INGCO TOOLS CO., LIMITED

www.ingco.com

MADE IN CHINA

0919.V01

GG308 UGG308